

# CleverEVAC DYNAMIC GREEN BLADE EXIT LIGHT



## Dynamic GREEN LEDs for Highest Visibility in a Blade

Research by the Fire Safety Engineering Group (FSEG) found that people often didn't notice static exit signage, whereas significantly more people noticed dynamic exit signage. This led to the development of the CleverEVAC Dynamic GREEN blade exit sign.

The Dynamic Green mode is triggered either by a 24VDC or a voltage free open/close signal from the fire detection or other building safety system. It can also be activated upon a loss of mains power.

The sophisticated look and design of the Dynamic Green blade exit will satisfy all architectural requirements for a premium recessed or surface mount exit.

### Suitable for Most Applications

- |   |  |
|---|--|
|  Office Buildings |  Theatres           |
|  Stadiums         |  Schools            |
|  Shopping Centres |  Airports & Transit |



### Features and Benefits

- Tested to BS EN 60598-2-22
- Compliant to EN1838 and ISO7010 in non-dynamic mode
- Low 1.5W to 2.7W standby power consumption
- Lithium Iron Phosphate or Nanophosphate® battery
- Zoneworks® XT Hive compatible
- Theatre version available



# CleverEVAC DYNAMIC GREEN BLADE EXIT LIGHT

ORDERING INFORMATION		CLP RECESSED	CLP CEILING MOUNT	CLP WALL MOUNT	L10 RECESSED	L10 CEILING MOUNT	L10 WALL MOUNT
TEST OPTIONS   PART NO	Standard - Running Man Right	DYGC-UP-RR	DYGC-UP-CM-RR	DYGC-UP-WM-RR	DYGL-UP-RR	DYGL-UP-CM-RR	DYGL-UP-WM-RR
	- Running Man Left	DYGC-UP-RL	DYGC-UP-CM-RL	DYGC-UP-WM-RL	DYGL-UP-RL	DYGL-UP-CM-RL	DYGL-UP-WM-RL
	- Running Man Up	DYGC-UP-RU	DYGC-UP-CM-RU	DYGC-UP-WM-RU	DYGL-UP-RU	DYGL-UP-CM-RU	DYGL-UP-WM-RU
	- Running Man Down	DYGC-UP-RD	DYGC-UP-CM-RD	DYGC-UP-WM-RD	DYGL-UP-RD	DYGL-UP-CM-RD	DYGL-UP-WM-RD
	Zoneworks® XT Hive					Yes	
Theatre Version Option					Yes		
Carton Quantity					1		
Weight - single (carton)					2.0kg		
Dimensions (L x W x H)	385mm x 67mm x 257mm	391mm x 90mm x 257mm			385mm x 67mm x 257mm	391mm x 90mm x 252mm	

\* for additional variants please refer to the Clevertronics Product Guide or website.

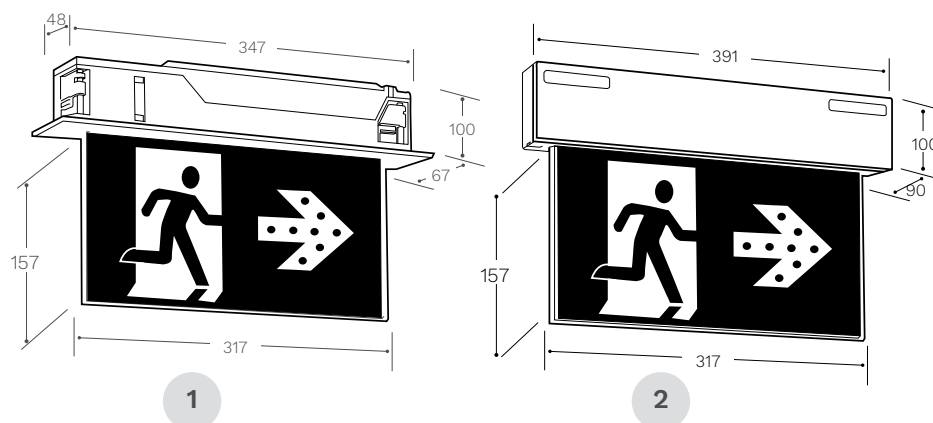
POWER, LAMPS AND BATTERY	CLP	L10
Power Consumption (Standby / Max)	1.5 W / 9.0 W	1.5 W / 5.0 W
Lamp(s)	100,000 Hour LEDs	100,000 Hour LEDs
Battery	Lithium Iron Phosphate	Lithium Nanophosphate
Voltage (V) / Capacity (mAh)	3.2V / 3200mAh	3.2V / 2500mAh
Charging Method	Intelligent current limited constant voltage	Intelligent current limited constant voltage

TECHNICAL SPECIFICATIONS	CLP	L10
Operating Mode	<b>Maintained</b> - Sequencing arrows/inward LEDs activated on VF/24V input trigger & capable of being activated in power-on & battery-backed mode	
Voltage (V) Frequency (Hz)	220-240V (50Hz)	
Construction- Body/Diffuser	PC/ABS body with PC diffuser	
Viewing Distance	30m	
Mounting Type	Recessed, Surface Mount Options, Single-Sided, Double-Sided	
Operating Temperature	0°C to 40°C	
IP Rating (IP)	IP20	

LUMINAIRE CLASSIFICATION	CLP				L10			
Without Automatic Testing	X	1	AG	180	X	1	AG	180
With Automatic Testing	X	1	AFG	180	X	1	AFG	180

## Product Configuration:

- 1 Recessed
- 2 Ceiling/Wall Mount



Dimensions (mm)

**Disclaimer:** Clevertronics Pty Ltd is a vendor of CleverEVAC products. It is not a fire engineer or designer. It does not purport to recommend its products for use in any particular application or to achieve any particular outcome. Purchasers and users of its products must take their own steps to ensure compliance with statutory requirements, safe practice and suitable application of the products.

\*Warranty information located at: <https://clevertronics.co.uk/product-warranty-statement/>

The product details described in this document are current as at the version date of the document. We reserve the right to change product design, specifications or materials (Specifications) as part of our continuous improvement program. Please confirm the applicable Specifications at the time of placing your order.

**clevertronics.co.uk**

362 Stockley Close, West Drayton, London UB7 9BL

Clevertronics International UK Ltd trading as Clevertronics, with registered number 11249539, whose registered office is at 843 Finchley Road London NW11 8NA. 248UK UK Catalogue 2021

